

Connectivity.Assured

## R.3 4K UHD 18Gbps Rack Install HDMI® Cable

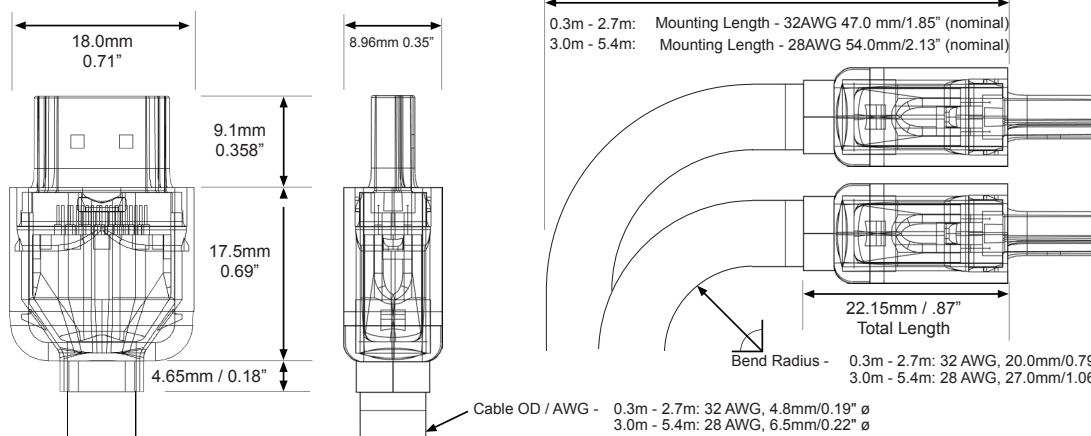
Kordz R.3 is engineered for bespoke commercial AV rack and critical application installations. The unique combination of the die-cast HDMI connector, flexible halogen free cable and small profile lightweight design results in unrivalled installation flexibility and robustness. Beyond this, the R.3 cables have increased shielding to prevent electromagnetic interference (EMI) which often occurs in rack environments.

- Engineered and built to deliver maximum commercial up-time
- 0.3 - 3.0m lengths in 0.3m increments for precision rack fit-offs
- 3.6 - 5.4m lengths in 0.6m increments
- High bandwidth solid OFC conductors
- Induction soldered pin transitions for benchmark inter-terminal uniformity
- Anti-fatigue Die-cast Zn alloy connectors tested to  $\geq 1,000$  cycles & 2kg retention force
- 100% of units tested for zero bit error rate @ 340Mcsc, <0.05% in-field failure rate
- Halogen-free construction
- DPL Certified 4K 18G-DC
- Limited lifetime warranty



### Technical Specifications

<b>HDMI Certification</b>		≤ 5.4m PASSIVE
HDMI CTS (Certified Test Specification)		High Speed with Ethernet
DPL Labs Certified Data Rate		6.0Gbps, 17.82Gbps agg
DPL Labs Certified Data Rate		≥ 6.0Gbps, 17.82Gbps agg (4K UHD)
HDMI Clock		27-340MHz
<b>Construction</b>		
Primary Conductors		Solid 32/28AWG OFC, length dependent
Insulation	TMDS	Foamed PE / Polyolefin
	4C + HEAC Pairs	Foamed PE / Polyolefin
Shielding	TDMS Pairs	Al / Mylar
	Overall	Al/Mylar + CU braid 90% coverage
Cable Jacket		Halogen-free TPE
HDMI Connector Shell		Anti-fatigue die-cast Zn alloy, 1μ" 24K Gold plated
HDMI Connector Pins		Solid OFC, 15μ" 24K Gold plated
Termination		Contactless IR induction soldering
HDMI Backshell		Al anodised front with Halogen-free TPE strain relief
<b>Mechanical</b>		
Cable Diameter	0.3m - 2.7m: 32 AWG, 4.8mm/0.19" $\phi$   3.0m - 5.4m: 28 AWG, 6.5mm/0.22" $\phi$	
Mounting Depth	0.3m - 2.7m: 32 AWG, 47.0mm/1.85" $\phi$   3.0m - 5.4m: 28 AWG, 54.0mm/2.13" $\phi$	
Cable Bend Radius	0.3m - 2.7m: 32 AWG, 20.0mm/0.79" $\phi$   3.0m - 5.4m: 28 AWG, 27.0mm/1.06" $\phi$	
Retention Force (nom)	20N (approx 2kg / 4.4lbs) +10/-5%	



**HDMI®**  
2.0 Adopter

DPL Labs Certified



kordz.com



# R.3 4K UHD 18Gbps Rack Install HDMI® Cable

Application Specifications	
Video Format Support	Data rate per channel / Aggregate, TMDS Bandwidth
480i/p, 576i/p	≤ 540Mbps/1.62Gbps, 270MHz
720p/1080i	742.5Mbps/2.22Gbps, 371.25MHz
<b>1080p - 8-bit RGB/YCbCr 4:4:4, 10/12-bit 4:2:2 or 4:2:0</b>	
23.98/24/29.97/30	742.5Mbps/2.22Gbps, 371.25MHz
50/59.94/60	1.485Gbps/4.455Gbps, 742.5MHz
3D-24/30	1.485Gbps/4.455Gbps, 742.5MHz
3D-50/60	2.97Gbps/8.91Gbps, 1.485GHz
<b>1080p - 10/12/16-bit RGB/YCbCr 4:4:4</b>	
50/59.94/60fps	1.86-2.97Gbps/5.57-8.91Gbps, ≤ 1.485GHz
<b>2160p (UHD/4K)</b>	
<b>HDMI 1.4b - 8-bit RGB/YCbCr 4:4:4, 10/12-bit 4:2:2 or 4:2:0</b>	
4096x2160p/24 (SMPTE)	2.97Gbps/8.91Gbps, 1.485GHz
3840x2160p/23.98/24/29.97/30	2.97Gbps/8.91Gbps, 1.485GHz
<b>HDMI 2.0 - 8-bit YCbCr 4:2:0</b>	
2160p*/50/59.94/60	2.97Gbps/8.91Gbps, 1.485GHz
<b>HDMI 2.0 Mode, 8-bit 4:4:4, 10/12-bit 4:2:2 or 16-bit 4:2:0</b>	
2160p*/50/59.94/60-2D 9CEA-861-F	5.94Gbps/17.82Gbps, 2.97GHz
2160p*30-3D	5.94Gbps/17.82Gbps, 2.97GHz
<b>VESA Graphics</b>	Supports all as defined by HDMI 2.0 specification, up to 17.82Gbps
<b>Color Spaces</b>	RGB, YCbCr, xvYCC, Adobe sRGB, sYCC601, ITU-BT.2020
<b>Audio Formats Support</b>	PCM 2.0-7.1, DD/DTS HD 7.1, 3D Audio (10.2   22.2   30.2ch)
<b>HDMI Audio Return Channel</b>	Supported, System Dependant

Commercial Range Comparison Features	ONE	PRO <sup>3</sup>	PRS <sup>3</sup>	R.3
1080p60 On all Lengths	✓	✓	✓	✓
4K24 4:2:2 HDR12	to 3m	✓	✓	✓
4K60 4:4:4 8 Bit	x	✓	✓	✓
10.2 Gbps Guaranteed Bandwidth	to 3m	✓	✓	✓
18.0 Gbps Guaranteed Bandwidth	x	✓	✓	✓
Connector Retention Force	<1kg	1kg	3kg	2kg
Dual wrap Al/Mylar + industry leading 90% coverage copper braid shield	x	x	x	✓
DPL Labs Certified	x	x	✓	✓
Lifetime Warranty	✓	✓	✓ <sup>②</sup>	✓
Jacket Material - fire rating	UL CM/G <sup>④</sup>	UL CMG	UL CMG <sup>③</sup>	HF <sup>①</sup>

① Refers to Halogen Free Jacket Material ② 5 Year Warranty on All Active Cables ③ Available in LSZH and CMP for AOC Cables Only

Part No:	Length	AWG	Technology	Inner Ctn Qty	Inner Ctn Weight Kgs	Master Ctn Qty	Master Ctn Weight Kgs
R.3-HD0030	0.3m   0' 11.8"	32	Passive	18	0.88	108	5.3
R.3-HD0060	0.6m   1' 11.6"	32	Passive	15	0.93	90	5.3
R.3-HD0090	0.9m   2' 11.4"	32	Passive	12	0.88	72	5.2
R.3-HD0120	1.2m   3' 11.2"	32	Passive	12	0.98	72	5.8
R.3-HD0150	1.5m   4' 11.0"	32	Passive	10	0.97	60	5.6
R.3-HD0180	1.8m   5' 10.8"	32	Passive	10	1.05	60	6.1
R.3-HD0210	2.1m   6' 10.6"	32	Passive	8	0.98	48	5.7
R.3-HD0240	2.4m   7' 10.5"	32	Passive	8	1.05	48	6.0
R.3-HD0270	2.7m   8' 10.3"	32	Passive	6	0.92	36	5.5
R.3-HD0300	3.0m   9' 10.1"	28	Passive	8	1.87	24	5.8
R.3-HD0360	3.6m   11' 9.7"	28	Passive	8	2.07	24	6.5
R.3-HD0420	4.2m   13' 9.3"	28	Passive	8	2.30	24	6.9
R.3-HD0480	4.8m   15' 9.0"	28	Passive	6	2.03	18	6.3
R.3-HD0540	5.4m   17' 8.6"	28	Passive	6	2.20	18	6.9

Kordz products are sold with a limited warranty as outlined at: [www.kordz.com](http://www.kordz.com)

©2020 Kordz International. All rights reserved. Kordz Connectivity, Assured & Kordz range logos are trademarks or registered trademarks of Kordz International in Hong Kong and in other countries.

All other trademarks are the property of their respective owners.

Version 20200102.0

[kordz.com](http://kordz.com)

(E&OE) ©Kordz 2020